

**4.2mm WTB (V4.2A/B) Series Connector:**

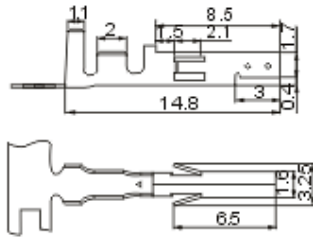


**SPECIFICATIONS**

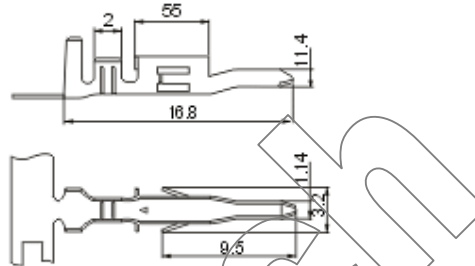
Pitch: 4.2 mm  
 Useable Wire Range: AWG 24# ~ 18#  
 Current Rating: 7A, AC, DC  
 Voltage Rating: 250V, AC, DC  
 Operating Temperature: -25°C ~ +85°C  
 Relative Humidity: 93%, +40°C  
 Dielectric Withstanding: 1500V AC/minute  
 Contact Resistance: ≤ 10 mΩ/Contact  
 Insulator Resistance: ≥ 1000 MΩ at 100V  
 Material:  
 Housing: Nylon66/ Nylon6T, UL94V-0  
 Terminal: Phosphor Bronze

**ROHS Compliance**

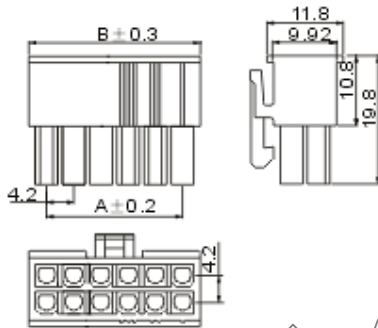
**V4.2A-T**



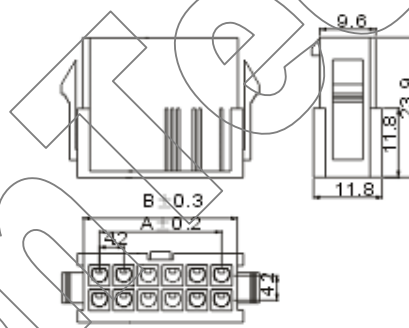
**V4.2B-T**



**V4.2B-XP**



**V4.2B-XR**



Circuit	Part No.		Dimensions (mm)	
			A	B
2	V4.2B-2P	V4.2B-2R	/	8.70
4	V4.2B-4P	V4.2B-4R	4.20	12.90
6	V4.2B-6P	V4.2B-6R	8.40	17.10
8	V4.2B-8P	V4.2B-8R	12.60	21.30
10	V4.2B-10P	V4.2B-10R	16.80	25.50
12	V4.2B-12P	V4.2B-12R	21.00	29.70
14	V4.2B-14P	V4.2B-14R	25.20	33.90
16	V4.2B-16P	V4.2B-16R	29.40	38.10
18	V4.2B-18P	V4.2B-18R	33.60	42.30
20	V4.2B-20P	V4.2B-20R	37.80	46.50
22	V4.2B-22P	V4.2B-22R	42.00	50.70
24	V4.2B-24P	V4.2B-24R	46.20	54.90